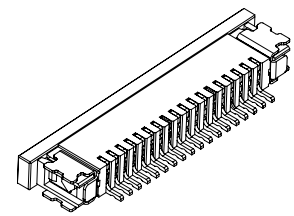


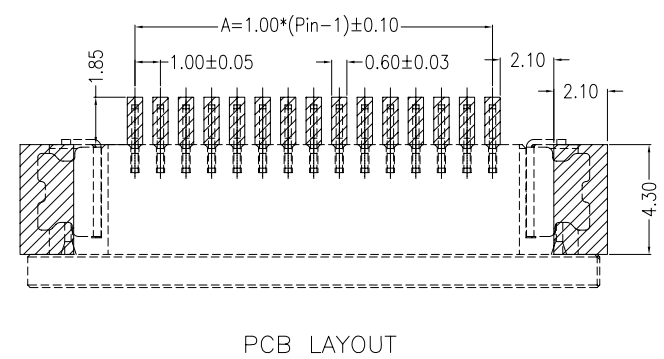
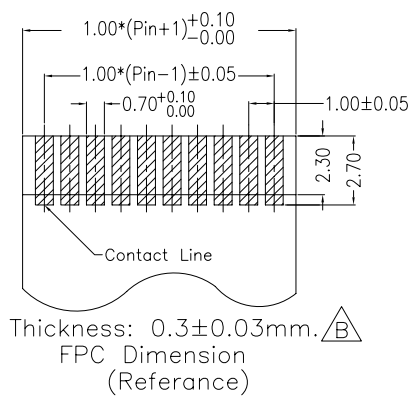
Specifications:
 Current Rating: 1.0A AC/DC
 Voltage Rating: 100V AC/DC
 Contact Resistance: 30m Ohm. Max.
 Insulation Resistance: 100M Ohm. Min.
 Dielectric Withstanding Voltage: 500V R.m.s (for one minute)
 Operating Temperature Range: -25°C ~ +105°C
 Material and Finish
 Insulator: High Temp. Plastic (UL94V-0)
 Contact: Copper Alloy
 Plating: Tin plated
 1223-XX-02-H29



Height: 2.90mm
 Bottom contact type
 No. of Contacts

Contact Dimension

No. Of Pin	DimA	DimB	DimC	No. Of Pin	DimA	DimB	DimC
3	2.0	4.2	10.4	18	17.0	19.2	25.4
4	3.0	5.2	11.4	19	18.0	20.2	26.4
5	4.0	6.2	12.4	20	19.0	21.2	27.4
6	5.0	7.2	13.4	21	20.0	22.2	28.4
7	6.0	8.2	14.4	22	21.0	23.2	29.4
8	7.0	9.2	15.4	23	22.0	24.2	30.4
9	8.0	10.2	16.4	24	23.0	25.2	31.4
10	9.0	11.2	17.4	25	24.0	26.2	32.4
11	10.0	12.2	18.4	26	25.0	27.2	33.4
12	11.0	13.2	19.4	27	26.0	28.2	34.4
13	12.0	14.2	20.4	28	27.0	29.2	35.4
14	13.0	15.2	21.4	29	28.0	30.2	36.4
15	14.0	16.2	22.4	30	29.0	31.2	37.4
16	15.0	17.2	23.4	31	30.0	32.2	38.4
17	16.0	18.2	24.4	32	31.0	33.2	39.4



RoHS Compliant

E				DRAWN: Sea	GENERAL TOLERANCE: .X = ±0.2 .XX = ±0.15	繼德工業股份有限公司 Neltron Industrial Co., Ltd.	DESCRIPTION: 1.0mm FPC Bottom Contact type	SIZE A4
D			CHECKED: Jeremy Liu	UNIT: MM				
C				APPROVAL: Mike Wu	SCALE: 1:1	PART NO: 1223-XX-02-H29		
B	17-Aug-2010	ECN-CN1008008	Sea		SHEET: 1 / 1			
A	30-Jul-2009	(PC0001)	Sea		PROJECTION:			
REV	DATE	FILE	BY					